


Jacuzzi J-325

Specifications

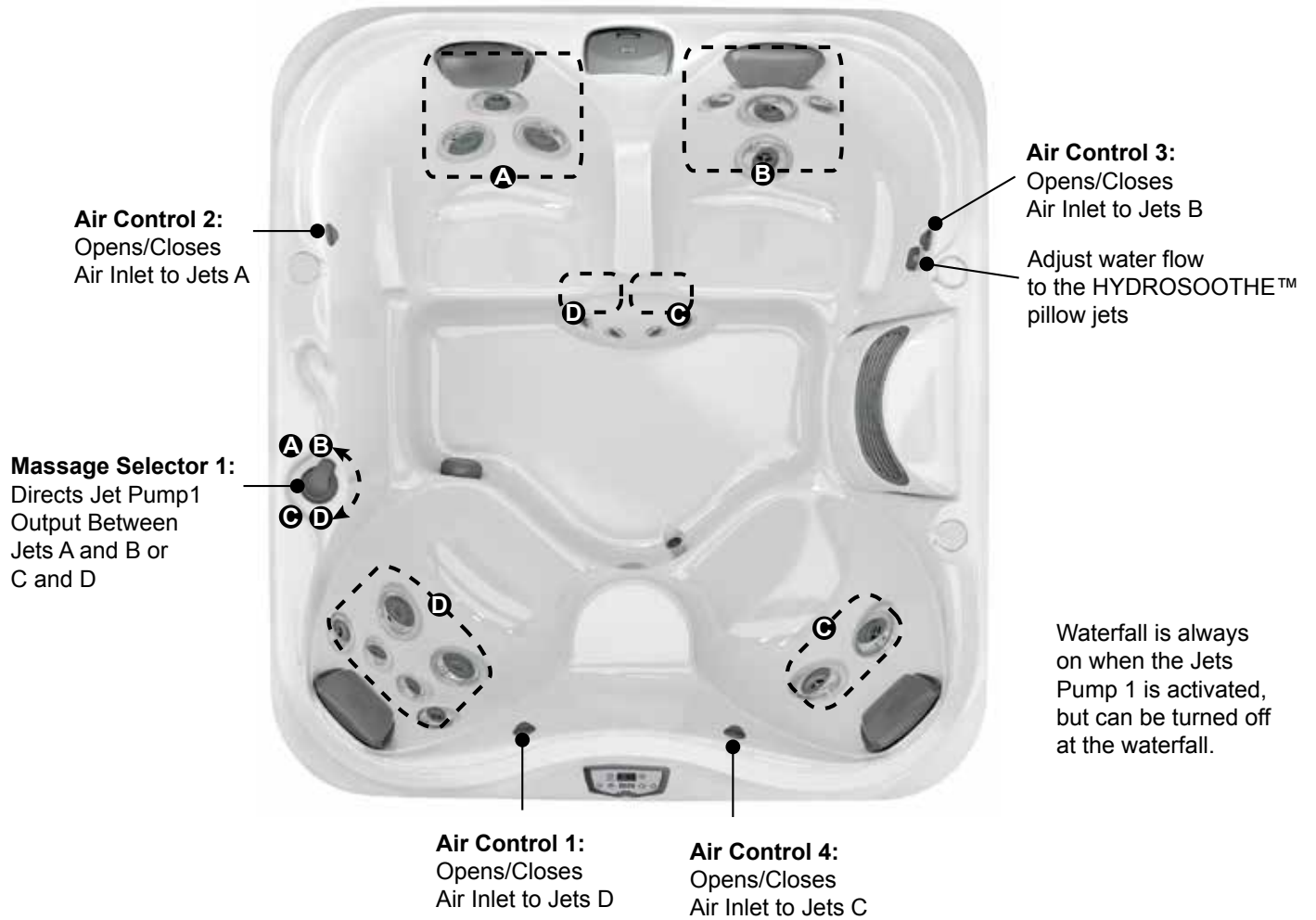
Seating Capacity.....	4-5 Adults	
Dimensions	84" x 76" x 33.50" (213.5 cm x 193 cm x 85.09 cm); For Complete Dimensions, See page 84	
Perimeter	320 in. (812.8 cm)	
Dry Weight.....	619 lbs (281 kg)	
Filled Weight (Spa Volume)	4,372 lbs (1,983 kg)	
Filled Weight (Average Fill).....	3,413 lbs (1,548 kg)	
Water Capacity (Spa Volume)	450 US gallons (1,703 Liters)	
Water Capacity (Average Fill)	335 US gallons (1,268 Liters)	
Electronic Controls	Solid state electronic controls with LCD readout, programmable temperature, filtration, and heat cycles	
Pump 1 (Convertible)	North America (60 Hz): 1-Speed, 2.5 HP brake, 1.5 HP continuous, 56 Frame	
(3-Wire 240V).....	North America (60 Hz): 1-Speed, 4.8 HP brake, 2.5 HP continuous, 56 Frame	
Export (50 Hz):.....	1-Speed, 2.0 HP continuous	
Circulation Pump.....	Yes, 8-hour	
Heater (Convertible)	North America (60 Hz): 1 kW/4.0 kW Low Flow	
(3-Wire 240V).....	North America (60 Hz): 4.0 kW Low Flow	
Export (50 Hz).....	2.7 kW Low Flow	
Total PowerPro® Jets.....	23	
Seat A Jets	2 PowerPro® FX, 2 PowerPro® FX Rotational, 2 PowerPro® FX Large	
Seat B Jets	1 PowerPro® FX Large Rotational, 2 PowerPro® FX Large	
Seat C Jets	4 PowerPro® FX, 2 PowerPro® FX Large Rotational	
Seat C HYDROSOOTHE™ Jets	2 PowerPro® FX Directional with independent flow rate valve	
Seat D Jets	2 PowerPro® FX Large Rotational	
Footwell (E)	4 PowerPro® FX Small	
Massage Selectors	1	
Air Controls.....	4, On/Off rocker style	
Water Management System	Two 60 ft ² filter cartridges; filter 1 on 8-hour circulation pump; filter 2 on jets pump 1; Factory installed CLEARARRAY Active Oxygen™ Clean Water System	
Export (50 Hz):.....	Factory installed CLEARARRAY Active Oxygen™ Clean Water System	
LED Lighting	One underwater light with 4 color modes, one colored waterfall light, 2 HYDROSOOTHE pillow lights, and OPTIONAL exterior light	
ProFinish™ Cabinet Colors	Modern Hardwood, Brushed Gray, and Smoked Ebony	
Acrylic Colors	Platinum, Silver Pearl, Monaco, Midnight, Porcelain	
Headrests	4	
Waterfall	One independent flow rate (on or off) adjustment; powered by the circulation pump	
Electrical Requirements:	North America (60 Hz): Convertible 120 VAC@15A or 240 VAC@30A, 40A, North America (60 Hz): 3-Wire 240V@30A, 40A Export (50 Hz): 230-240 VAC@1x16A or 2x16A, or suitably rated circuit breaker to comply with local electrical codes. Certain countries may require dual power inputs; two GFCI RCD Breakers are required for this configuration.	
Warranty*	North America (60 Hz): 10 Years Shell, 7 Years Shell Surface, 5 Years Plumbing Component Leaks, 5 Years Equipment and Controls, 5 Years Cabinet, 2 Years Jets, 2 Years Lights, 1 Year Stereo; Export (50 Hz): 10 Years Shell, 7 Years Shell Surface, 5 Years Plumbing Component Leaks, 5 Years Equipment and Controls, 5 Years Cabinet, 2 Years Jets, 2 Years Lights, 2 Years Stereo	
Special Features (Optional)	SmartTub™ Module, Exterior Lights	
Audio System (Optional).....	BLUEWAVE® Spa Stereo System (Bluetooth/Aux compatible) with four speakers and subwoofer	

*(See Warranty Document for Specific Details)

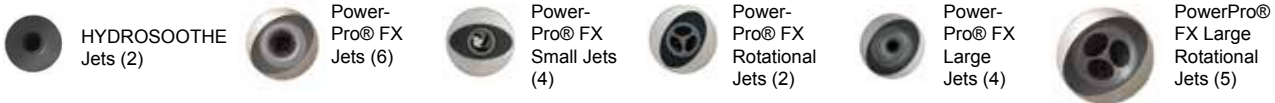
Dimensions/Specifications are Subject to Change Without Notice

Jacuzzi J-325

Operation/Seat Depths



23 Total Jets



Spa Operation Subject to Change without Notice

Seat Depths

- A = 27.38" (69.5 cm)
- B = 27.38" (69.5 cm)
- C = 27.38" (69.5 cm)
- D = 25.75" (65.4 cm)
- E = 16.63" (42.2 cm)
- F = 31.25" (79.4 cm)

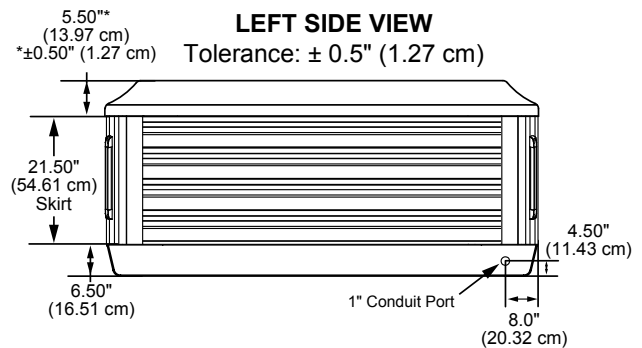
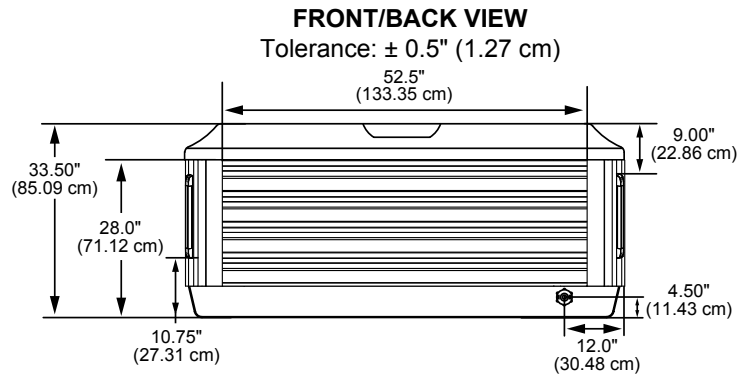
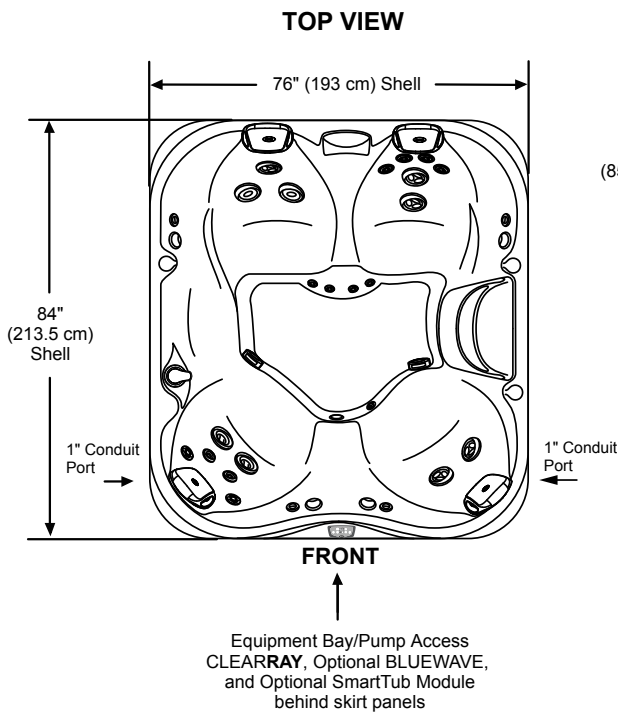
Listed dimensions represent distance from top of acrylic to lowest point in seat.
Tolerance $\pm 0.5"$ (1.27 cm).



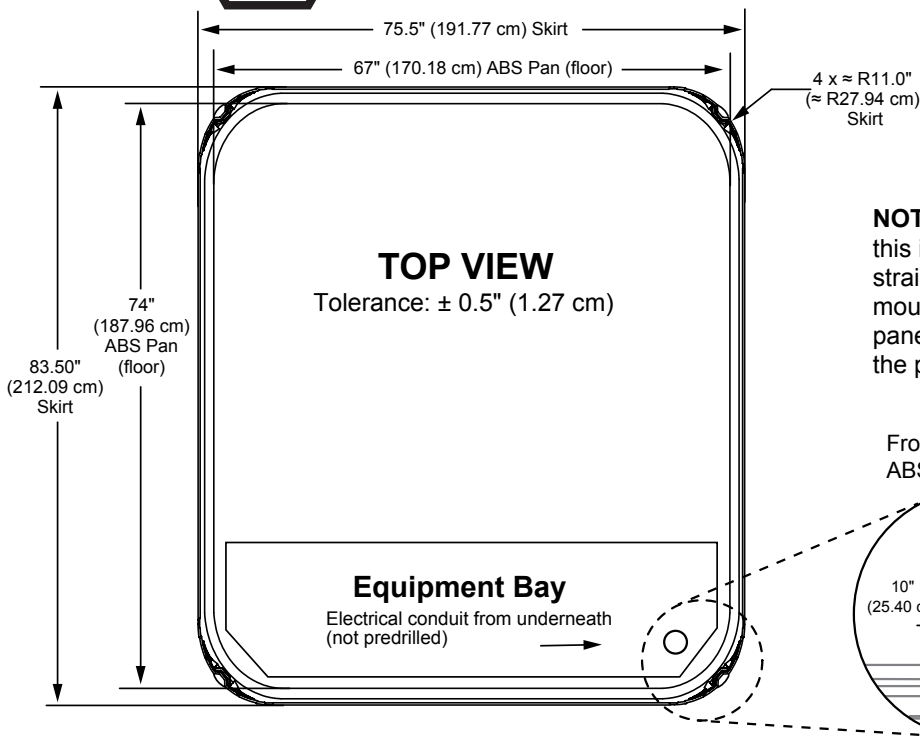
Dimensions/Specifications are Subject to Change Without Notice

Jacuzzi J-325

Dimensions



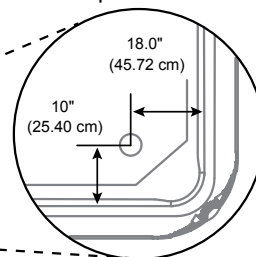
IMPORTANT! Always measure each hot tub for exact dimensions **BEFORE** designing its foundational support and/or decking.



Important Panel Details

NOTE: Over time the panel(s) may bow, this is considered normal. The panels will straighten out when reinstalled into the mounting channel. Place one end of the panel into the channel first then flatten the panel and insert the other end.

From the edge of the ABS pan



Dimensions/specifications subject to change without notice. Tolerance $\pm 0.5"$ (1.27 cm)